

DR09 HEATED/DRY CHAMBER



Featured photo is the DR09 benchtop heated/dry chamber featured upgraded West controller, open door view to show adjustable internal racks.

Specifications:

- Temperature Range: 40°C to 150°C.
- Control of temperature at sensor: $\pm 5^{\circ}\text{C}$
- Temperature sensor accuracy: $\pm 0.2^{\circ}\text{C}$

- Humidity Range: = or < then 5% RH throughout the temperature range.

- Custom Plenum
- Vaisala RH sensor
- Custom heat distribution system
- Membrane dehumidifier

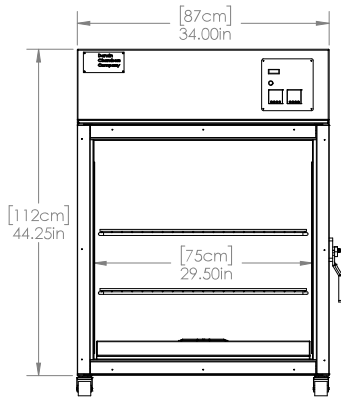
Temperature control and uniformity specifications assume standard operation in a controlled ambient condition of 72°F $\pm 8^{\circ}\text{F}$ and a dew-point at or below 52°F (72°F/50% RH).

Features: The DR series boasts an efficient heat distribution system to provide optimal performance. Heated air is engineered to flow in an umbrella pattern, ensuring increased uniformity. Chamber is equipped with automatic high temperature cut-off to protect contents and user, and an easily serviceable heater and fan unit. This unit uses roughly 1/8 the electricity of some of our competitor's models.

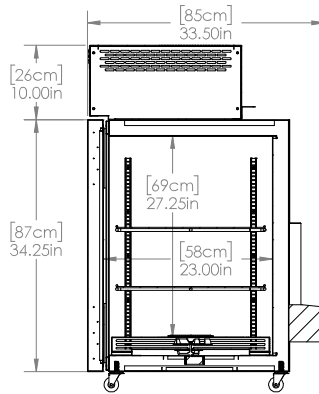
Includes: one door; two shelves, adjustable, and lockable low-profile caster wheels. Cord and plugset, and Operations Manual on CD included.

Controls: All controls/instrumentation and sensors are calibrated to NIST-traceable standards. Chamber features microprocessor controller with PID, Auto tuning, programmable (hi/lo) alarms, ability to ramp/soak, process variable and set-point variable offset, dual display of actual and set-point temperature. Controls are able to be quickly exchanged for future upgrades or repair.

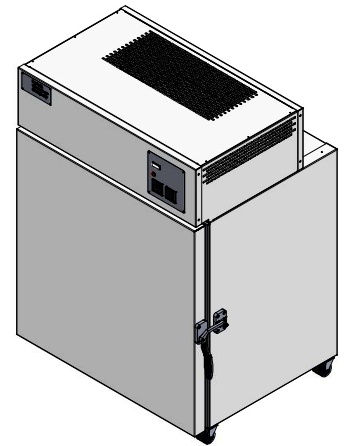
Chamber construction: 304 series stainless steel interior and door liner, corrosion-resistant. Heavy-gauge powder-coated, galvanized steel exterior sides/exposed surfaces. Exterior dimensions: 34" W by 27" D by 44" H. Interior dimensions: 29.75" W by 23" D by 27.75" H.



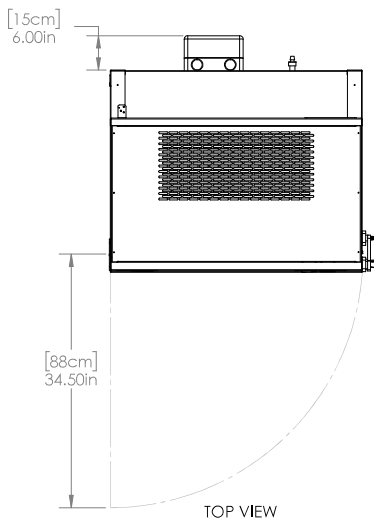
FRONT VIEW
(DOOR REMOVED)



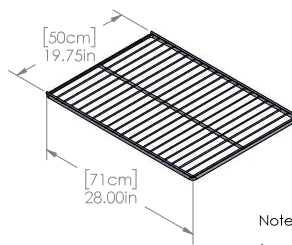
SIDE VIEW
(SECTION)



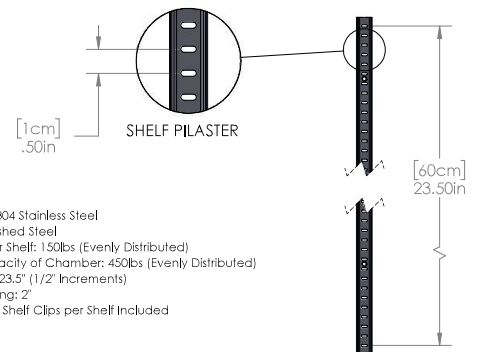
3D VIEW



TOP VIEW



WIRE SHELF



SHELF PILASTER

Notes:

- Shelf Material: 304 Stainless Steel
- Shelf Finish: Polished Steel
- Max Weight per Shelf: 150lbs (Evenly Distributed)
- Max Load Capacity of Chamber: 450lbs (Evenly Distributed)
- Pilaster Height: 23.5" (1/2" Increments)
- Minimum Spacing: 2"
- 4 Stainless Steel Shelf Clips per Shelf Included

Note: Tolerances are 0.25" unless otherwise stated.
*Dimensions and components are subject to change without notice.