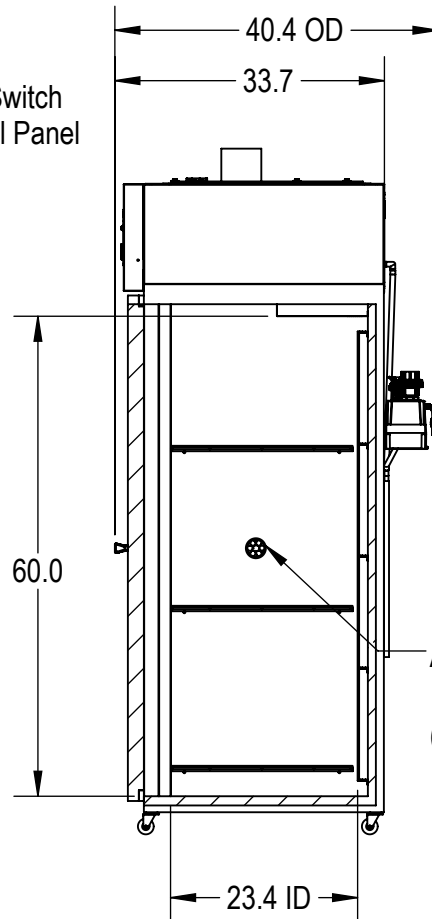
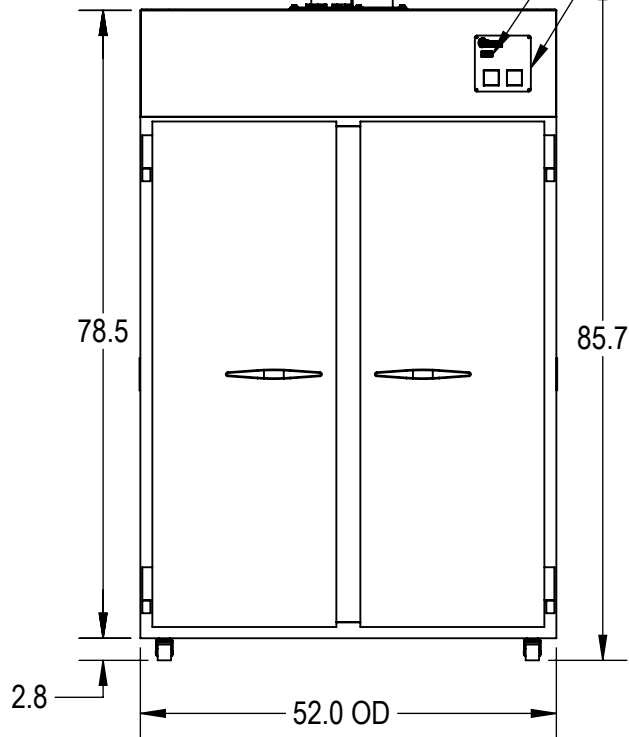


Wire Shelf (X6)

- Notes:
- Crated Weight: 740 lbs
  - Shelves adjustable in 1/2" increments. Minimum 2" spacing required
  - Weight Capacity: 90 lbs per shelf
  - Dimensions and components are subject to change without notice.
  - Some options may affect chamber performance.

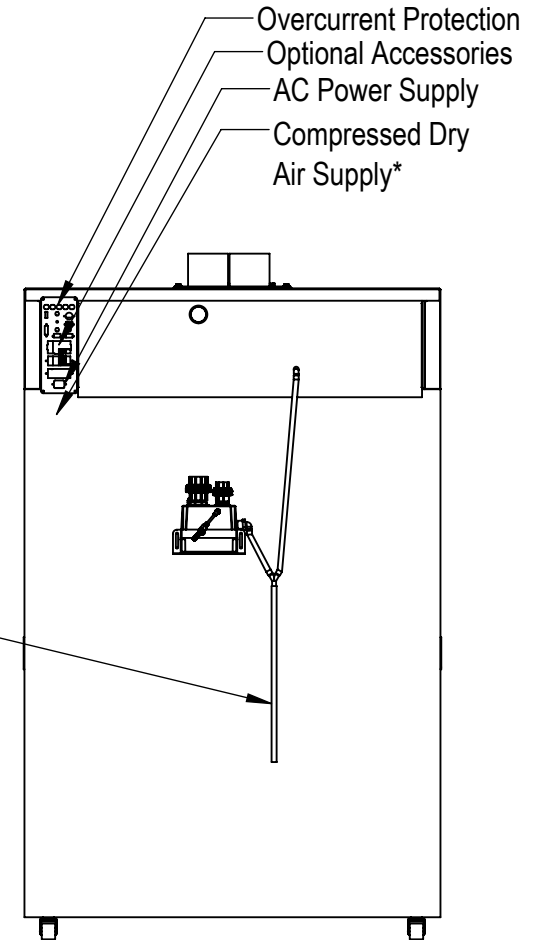
Removable for low clearance  
4.5

Power Switch  
Control Panel



Access Port  
Ø 2  
(1) each side

Drain Line  
8ft



\* Optional Accessory